

Model: JSMA-PIH75AAKB

No.	Item	Symbol	Unit	Specification	No.	Item	Symbol	Unit	Specification
1	Drive	-	-	3 φ 220VAC	13	Rotor Inertia	J-M	kg-cm ²	110.88±10%
2	Cooling Method	-	-	Totally Enclosed	14	Rated Power Rate	Q-R	Kw/s	206.06
3	Exciting Method	-	-	Permanent Magnet	15	Resistance	Ra	Ω	0.1±10%/2 φ
4	Resolution	-	-	17 bit ABS	16	Inductance	L	mH	2.5±10%/2 φ
5	Rated Output	P-R	KW	7.5	17	Mech. Time Constant	Tm	ms	0.99±10%
6	Rated Torque	T-R	N-m	47.8	18	Elect. Time Constant	Te	ms	25±10%
7	Max. Torque	T-max	N-m	122.6	19	Insulation Class	-	-	Class F
8	Rated Speed	N-R	rpm	1500	20	Operation Temp.	T	°C	0~40
9	Rated Current	I-R	A	38.6	21	Operation Humd.	RH	%	<80
10	Max. Current	I-max	A	99.1	22	Storage Temp.	T	°C	-20°~60°
11	Torque Constant	Kt	N-m/A	1.24±10%	23	Storage Humd.	RH	%	<80
12	Ke constant	Ke	V/Krpm	82.3±10%/2 φ	24	Weight	W	kgw	39

PIN	Signal
B	+5V
I	0V
A	VB+
C	VB-
H	SD+
D	SD-
G	
E	
F	FG

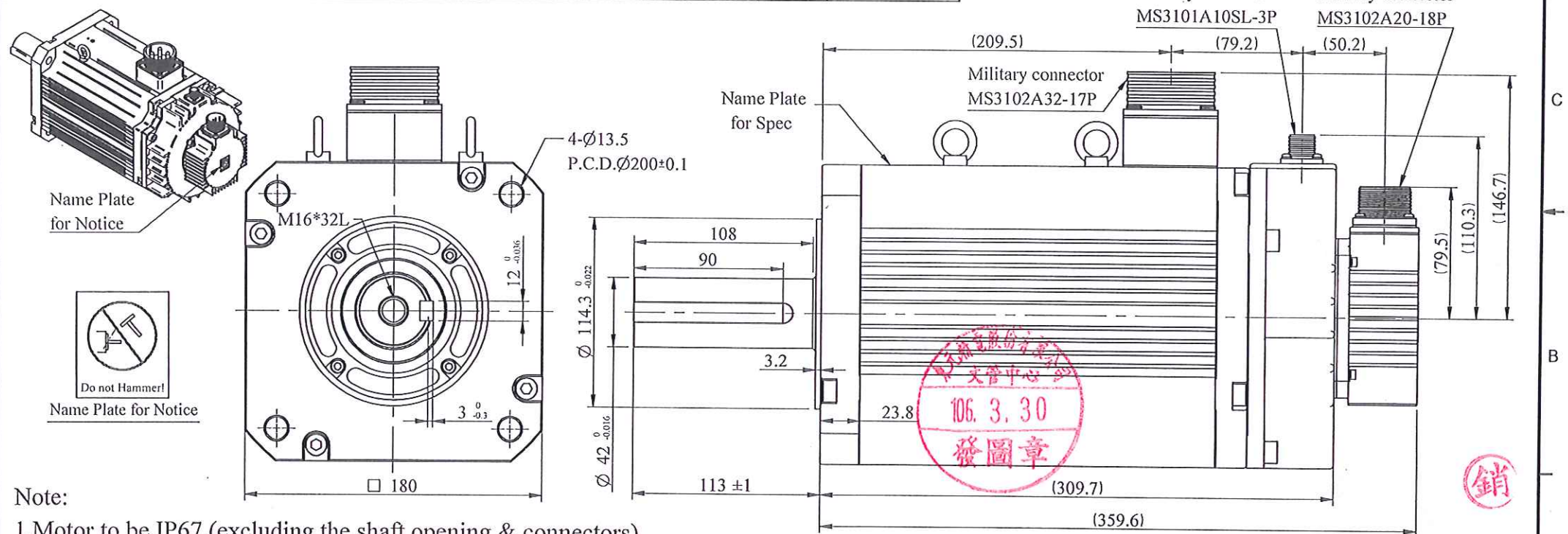
Encoder Wiring

PIN	Signal
A	U
B	V
C	W
D	FG

Motor Wiring

PIN	Signal
A	0
B	24V
C	

Brake Wiring



- Note:
- Motor to be IP67.(excluding the shaft opening & connectors)
 - The detail of Name plate for Spec. refers to the file DC-JXE-002.

STANDARD TOLERANCE		APVD	SCALE	UNIT	NAME
X	±0.5	Michelle	3/20/19	m m	Servo Motor Outline Drawing
X	±0.2				
.XX	±0.05				
ANGLE	±30'				
MATERIAL	REV	DESCRIPTION	SIGNATURE	DATE	TITLE
			Chase	03-30-17	JSMA-PIH75AAKB
					Dept. Design
				DWG.NO.	D01B18752H3B3AD01